



Steel and stainless steel sliding doors OD

NEW: Fire sliding doors, multi-purpose sliding doors, hinged doors with CE marking







- 4 Hörmann brand quality
- 6 Hörmann fire protection elements
- 8 Sustainably produced

- 10 Good reasons to try Hörmann
- 12 Quality in the details
- 14 Surface finishes and colours
- 16 Fire sliding doors
- 18 Multi-purpose sliding doors
- 20 Wicket doors
- 22 Flush-stopping sliding door
- 23 Recess and ceiling flaps
- 24 Operator solutions for sliding doors
- 26 Special equipment
- 27 Hold-open devices
- 28 Hinged doors

- 30 Technical data
- 38 Hörmann product range

Copyright: No part or excerpt may be reproduced without our prior permission. Subject to changes. Some of the doors shown are special versions and may require approval in individual cases.

Hörmann brand quality

Reliable and oriented towards the future



Minto shopping centre, Mönchengladbach, Germany, featuring Hörmann products



High-speed progress

Growing and constantly changing functional and safety requirements necessitate continuous new construction and equipment developments and improvements, especially when it comes to moveable construction components such as doors. In this area, our qualified development teams time and again prove their great specialised expertise.



Highly sophisticated production methods

Hörmann relies on state-of-the-art production technology at highly specialised factories. Computer-controlled operations ensure dimensionally accurate elements with perfectly fitted fittings and functional parts.



As Europe's leading manufacturer of doors and frames, we are committed to high product and service quality. This is how we set standards on an international scale.

Highly specialised factories develop and manufacture construction components that are characterised by excellent quality, functional safety and a long service life.

Our presence in the global economy's key regions makes us a strong, future-oriented partner for industrial and public construction projects.



Fire testing centre with test laboratory

Our new and further developments are constantly tested for the required fire resistance and smoke-tightness through in-house fire tests at our fire testing centre. The knowledge gained from these tests ensures high fire protection for buildings. They also allow us to optimally prepare our innovations for the official inspections by authorised test centres for official approvals.



Expert building support

Experienced specialists of our customer-oriented sales organisation support you from the planning stage, through technical clarification up to the final building inspection.

Expert fitting is guaranteed by experienced Hörmann fitters and the specialised trained staff of Hörmann's partners.

Hörmann fire protection elements

The right solution for any requirement





Construction project doors

Steel and stainless steel construction project doors offer crucial advantages for architects and building owners: Doors with different functional requirements that are fitted in the same storey match perfectly thanks to their identical look. The construction project doors STS / STU feature a flush-fitting, elegant appearance as well as unlimited colour options and many frame variants.



All-glass tubular frame construction project doors

Hörmann aluminium and steel fire-rated and smoke-tight doors and glazings in the EI₂30, EI₂60, EI₂90 models will convince you with certified safety, perfect function and a 100 % matching door appearance.



Automatic sliding doors

With Hörmann automatic sliding doors, you are combining the transparency of tubular frame parts with the requirements of fire protection and barrier-free construction. These products allow Hörmann to provide a uniform fire protection concept for use in architecturally demanding construction projects.



Fire protection curtain FlexFire

According to many planners and architects, the real challenge presented by structural fire protection is perfectly combining modern architecture, aesthetics and functionality. Unlike many conventional fire protection solutions, the textile fire protection curtain FlexFire blends in with the room design. With its variable, subtle fitting options, it meets even the highest of standards for aesthetics, opening up new possibilities for realising open room concepts.

Sustainably produced

For trend-setting construction



Sustainability documented and approved by the ift in Rosenheim

Hörmann received confirmation of sustainability through an environmental product declaration (EPD)* in accordance with ISO 14025 from the Institut für Fenstertechnik (ift – Institute of window technology) in Rosenheim. The inspection was based on the Product Category Rules (PCR) Doors and Gates from ift Rosenheim GmbH, issue PCR-TT-0.1.

Environmentally-friendly production was confirmed by a life-cycle analysis in accordance with DIN ISO 14040 / 14044 for all sliding doors.

Sustainably produced fire-rated and smoke-tight elements from Hörmann

Environmentally friendly production
A comprehensive energy management system ensures environmentally-friendly production.

Regional raw materials
The majority of applied raw materials is purchased from Germany and Central Europe.

Long-lasting products
A long service life and low maintenance costs thanks to the use of high-quality materials.

Sustainable construction with Hörmann's expertise

Hörmann has been able to gain great expertise in sustainable construction through various projects. We also apply this know-how to support your projects.

* For more information please visit our Internet site at www.hoermann.co.uk/documentation

Developed today for the future

Corresponding to European product standards
EN 16034 and EN 13241



New: Sliding doors OD with CE marking

The coexistence period for doors with fire and / or smoke properties came to an end effective 1.11.2019. This means that all corresponding national approvals in the EU will lose their validity and the CE mark will become the only valid label for these construction products.

The fire sliding doors OD have been tested in accordance with the European requirements in fire protection and already meet the requirements of the product standards EN 16034 and EN 13241. As a result, the products can be introduced to the market in all countries within the European Union. Country-specific approvals or certificates are no longer necessary. All national regulations for these products have thus been eliminated and replaced by a single European procedure and set of rules.

Good reasons to try Hörmann

High-quality versions for the project sector;
functional solutions for the industrial sector



1

High-quality door appearance

Hörmann sliding doors offer a modern door appearance through a patented V groove at the element joint without visible screw connections. The high stability is ensured through the interlocked, toothed labyrinth plug-in profile. **The elements are 72 mm wide, fully glued and flush,** and aligned with each other through threaded rods. **You benefit from a high-quality door appearance** with parallel, uniformly wide edges.

2

Precise door leaf guide

The cylindrical track roller and the stable track roller, in conjunction with the patented track, work together to provide an optimal force balance. **Quiet operation and easy actuation is ensured,** thanks to a suspension with ball-bearing. The track can be precisely adjusted in three dimensions using adjusting screws. A track panel in the colour of the door leaf results in a harmonious overall appearance.

NEW:
Sliding doors OD
with CE marking



Only from Hörmann
Patented combination with operators
SupraMatic HT and ITO 400

3 **Flush-stopping without
guiding profile**

This optional door version is an alternative to double-leaf hinged doors in construction projects, e.g. in entrance areas. **The clear passage is extended**, since the door in the inlet area stops flush with a stainless steel fascia on the wall, **ensuring that the elegant appearance is not compromised by a guiding profile**. If the parking area is designed as a recess solution with recess flap, the door is practically invisible. Security is ensured through spring-loaded stainless steel guiding bolts, intumescent coating and rubber double seal.

4 **With a convenient
operator solution**

A combination of a steel or stainless steel sliding door with operator SupraMatic HT or ITO 400 allows for **fast opening and closing in daily operation**. The operators SupraMatic HT and ITO 400 FU with soft start and soft stop as standard are recommended for a particularly gentle and quiet door travel. The door can be conveniently operated via a hand transmitter, push button or key switch. **In case of fire, a patented mechanism is used to unlock the operator**. The door is then reliably closed via weights.

Quality in the details

High-quality door construction for demanding architecture





1 Slim overall construction

- Depth of only 132 mm
- Recess width for recess flaps: 180 mm to max. 380 mm

2 Track panel

- Matches the door leaf
- Galvanized, RAL to choose or stainless steel
- Easy fitting with few screw connections

3 Closing weights

- Easy fitting and maintenance with screw-on weights
- Galvanized or stainless steel

4 Guiding profile / centring device

- Centring device for precise door guidance in the guiding profile

5 Damper

- Galvanized or stainless steel
- Integrated into door leaf for single-leaf EI₂30 fire sliding doors
- EI₂30 doors: A damper is not required for door sizes up to 9 m²

6 Integrated floor track roller

- Adjustable
- Concealed in door leaf after fitting

7 Hydraulic track control

- For continuously adjustable closing speeds (0.08 to 0.2 m/s)
- Invisibly integrated into the weight box

8 Wicket door

- Without threshold for escape routes acc. to DIN EN 179 and EN 1125
- With 22 mm threshold for additional stability and for ascending floors or parking ramps, e.g. in underground garages

Wicket door monitoring via radio

- Concealed radio magnetic contact in the wicket door
- No possibility of operational damage
- Optional spiral cable and socket at the end of the door leaf with concealed cable routing in the door leaf

9 Glazing in wicket door and door leaf

- Maximum glass size of 500 mm × 1000 mm
- Glazing size: 465 mm × 815 mm as standard

10 Grip and

11 recessed handles

- High-quality stainless steel version as standard



Surface finishes and colours

Galvanized, colour-coated or stainless steel

Surface finishes and colours

The flush and fully bonded sliding doors are delivered in galvanized sheet steel as standard. For the door leaf and door leaf on the wicket door you can choose between the standard Pearlgrain and smooth sheet steel surfaces. The frame parts are supplied with a smooth surface in both versions. For a harmonious door appearance, the doors including frame parts are optionally available in primed Grey white RAL 9002 or with powder-coated primer in 7 preferred colours, RAL to choose, metallic colours or NCS colours and as an exclusive powder coating in Corten steel. We can also provide you with frame parts in an inexpensive, galvanized Economy version for coloured doors on request.

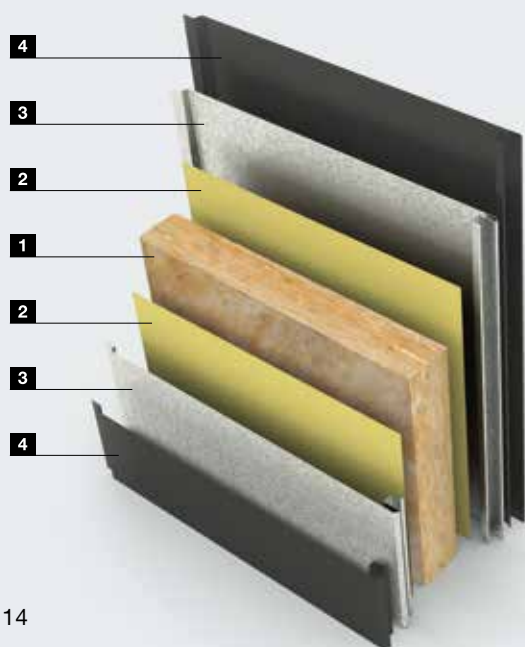
Stainless steel version

For special visual or construction requirements, doors in stainless steel V2 A, 1.4301 with a 240 K grain size are available. All components, such as the door leaf, tracks, cladding, weight boxes, cables, rollers and support brackets are made of stainless steel. We also deliver optional closing weights in stainless steel V2 A, 1.4301.

Additional versions on request.

Door leaf design

- 1 Fire protection material
- 2 Fully bonded
- 3 Optional galvanized sheet steel: stainless steel V2 A, 1.4301
- 4 Optional: Priming in RAL 9002 or primer powder coating in 7 preferred colours or in RAL to choose, metallic colours or NCS colours and as an exclusive powder coating in Corten steel



Galvanized version, door leaf in Pearlgrain



Economy version, coated (only door leaf)



Door leaf and frame coated



Door leaf and frame made of stainless steel

Pearlgrain version
A robust and highly resistant surface finish
for warehouses and high-traffic areas

Surface finishes

Only from Hörmann



Pearlgrain, galvanized

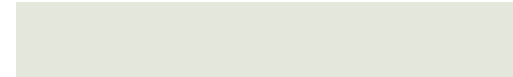


Smooth sheet steel, galvanized



Stainless steel V2 A, 1.4301, K 240

Colour primer



Grey white RAL 9002

Preferred colours



Flame red RAL 3000



Anthracite grey RAL 7016



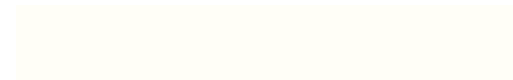
Light grey RAL 7035



White aluminium RAL 9006



Grey aluminium RAL 9007



Pure white RAL 9010



Traffic white RAL 9016



RAL to choose

We also supply all doors optionally in RAL to choose, metallic colours, or NCS colours.

Corten steel

For an exclusive view, all doors are available in the high-quality Corten steel powder coating.



All colours based on RAL.

EI₂30 / EI₂60 / EI₂90 / EI₂120 fire sliding doors OD

Single-leaf, double-leaf and telescopic versions



EI₂30

Fire-retarding

Single-leaf
Double-leaf
Telescopic, double,
triple

EI₂60

Fire-proof

Single-leaf
Double-leaf
Telescopic, double,
triple

EI₂90

Fire-proof

Single-leaf
Double-leaf
Telescopic, double,
triple

EI₂120

Fire-proof

Single-leaf

dB

Acoustic insulation

EI₂30: up to 29 dB
EI₂60: up to 31 dB
EI₂90: up to 31 dB



Wicket door

Single-leaf
Double-leaf
Telescopic



Stainless steel

V2 A, 1.4301

CE

CE marking

Further information

- Surface finishes / colours page 14
- Wicket doors page 20
- Operators page 24
- Special equipment page 26

**Patented operator solutions
with the optional SupraMatic HT
and ITO 400 operators**

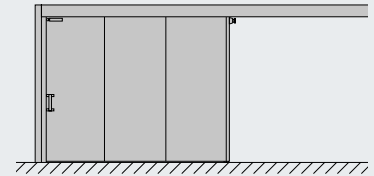
Door type	Single-leaf	Double-leaf*	Telescopic
EI₂30 fire-retarding			
Width (mm)	1000 – 12000	1500 – 12000	1500 – 8000
Height (mm)	2000 – 8750	2000 – 8680	2000 – 5000
Acoustic insulation	Up to 29 dB (for all versions)		
EI₂60 fire-proof			
Width (mm)	1000 – 12000	1500 – 12000	1500 – 8000
Height (mm)	2000 – 8260	2000 – 6500	2000 – 5000
Acoustic insulation	Up to 31 dB (for all versions)		
EI₂90 fire-proof			
Width (mm)	1000 – 12000	1500 – 12000	1500 – 8000
Height (mm)	2000 – 8260	2000 – 6500	2000 – 5000
Acoustic insulation	Up to 31 dB (for all versions)		
EI₂120 fire-proof			
Width (mm)	1000 – 4540	–	–
Height (mm)	2000 – 4850	–	–
Acoustic insulation	Up to 31 dB (for all versions)		
Minimum door sizes with wicket door, asymmetrical division of leaves			
Width (mm)	1650	2750	3500
Height (mm)	2100	2100	2100
Minimum door sizes with wicket door, symmetrical division of leaves			
Width (mm)	1650	3500	
Height (mm)	2100	2100	

* Division in width left / right at least 500 mm

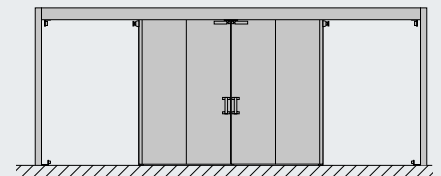
Important: Max. door leaf surface 62.5 m²

Notice: The dimensions listed above may deviate in doors with operator SupraMatic or ITO 400.

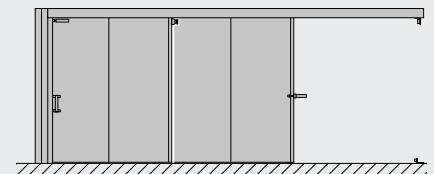
Single-leaf



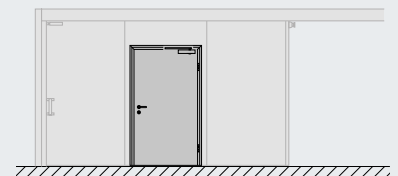
Double-leaf



Telescopic sliding door



Wicket door



Wicket door

Standard size (standard)	
Width (mm)	1000
Height (mm)	2000
EI₂30 fire-retarding	
Width (mm)	750 – 1200
Height (mm)	1550 – 2000
EI₂60 fire-proof	
Width (mm)	750 – 1000
Height (mm)	1550 – 2000
EI₂90 fire-proof	
Width (mm)	750 – 1000
Height (mm)	1550 – 2000

Multi-purpose sliding doors FST MZ OD

Single-leaf, double-leaf and telescopic versions



MZ

Multi-purpose

Single-leaf
Double-leaf
Telescopic, double,
triple

dB

Acoustic insulation

With mineral wool infill
up to 29 dB



Wicket door

Single-leaf
Double-leaf
Telescopic



Stainless steel

V2 A, 1.4301

CE

CE marking

Further information

- Surface finishes / colours page 14
- Wicket doors page 20
- Operators page 24
- Special equipment page 26

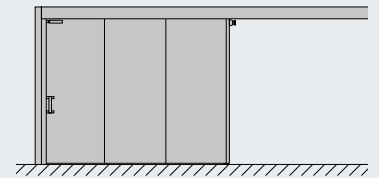
Door type	Single-leaf	Double-leaf*	Telescopic
MZ multi-purpose			
Width (mm)	1000 – 12000	2000 – 9000	2000 – 12000
Height (mm)	2000 – 9000	2000 – 9000	2000 – 9000
Acoustic insulation	Up to 29 dB (with mineral wool infill)		
Minimum door sizes with wicket door			
Width (mm)	1650	2750	3500
Asymmetrical division of leaves			
Height (mm)	2100	2100	2100
Asymmetrical division of leaves			
Width (mm)	1650	3500	
Symmetrical division of leaves			
Height (mm)	2100	2100	
Symmetrical division of leaves			

* Division in width left / right at least 1000 mm

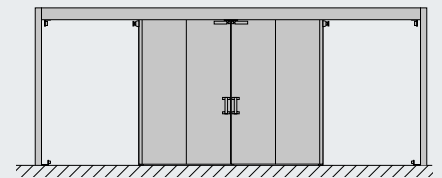
Multi-purpose doors are supplied as standard with honeycomb infill. External doors are optionally available with mineral wool infill, track cover; version with hold-open locking function also possible.

	Wicket door
Standard size (standard)	
Width (mm)	1000
Height (mm)	2000
Special sizes	
Width (mm)	625 – 1200
Height (mm)	1750 – 2000

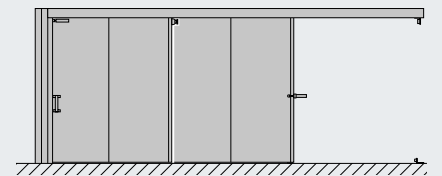
Single-leaf



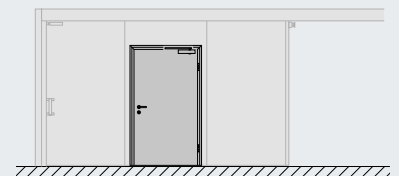
Double-leaf



Telescopic sliding door



Wicket door



Wicket doors

Version without threshold also approved for smoke-tight sliding doors



Design features

- Rebated door construction
- Version without threshold for escape routes acc. to DIN EN 179 and EN 1125
- Version with 22 mm threshold for additional stability and for ascending floors or parking ramps, e.g. in underground garages
- With smoke protection function up to 20 m² door surface
- Up to 2 wicket doors per door leaf
- Wicket door opening in both directions, depending on the source of danger (also in opposite direction of opening)
- Optional glazing: standard size 468 × 815 mm, special size max. 500 × 1000 mm

Wicket door monitoring via radio

- Radio transmission with magnetic contact and transmitter in door leaf
- Separate receiver incl. wall fitting
- Optional latch switching contact and electric strike (signal transmission system with concealed wiring and spiral cable at end of door leaf)

Overhead door closer

- Standard slide rail overhead door closer HDC 35
- Optional slide rail overhead door closer TS 5000
- Optional integrated overhead door closer ITS 96

Sports hall recessed handle // NEW

- As standard in stainless steel
- Flush-fitting track application, minimally protruding with version according to DIN EN 179
- Emergency exit lock acc. to DIN EN 179
- Approved for escape routes

3-way adjustable hinges

- 3-way adjustable galvanized VX hinges for easy adjustment of the door (as standard)
- Optionally in stainless steel or RAL colours

Lock variants

- Mortice lock for fire-rated and smoke-tight doors in accordance with DIN 18250 (as standard BKS 1206)
- Optional anti-panic function in accordance with EN 179 and EN 1125 for wicket doors opening into the reveal

Wicket door versions

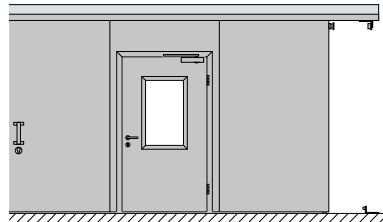


Version without threshold for escape routes acc. to DIN EN 179 and EN 1125

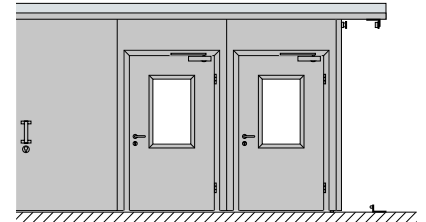


Version with 22 mm threshold for additional stability and for ascending floors or parking ramps, e.g. in underground garages

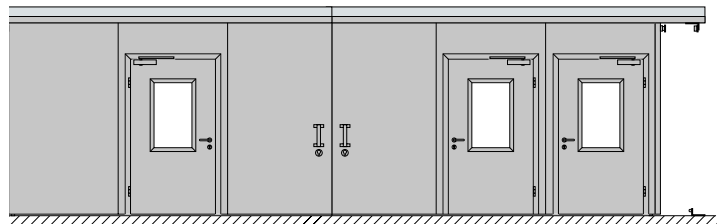
Approved variants of the wicket door



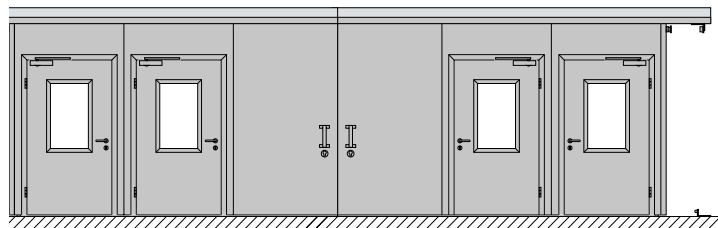
Single-leaf with wicket door



Single-leaf with two wicket doors



Double-leaf with three wicket doors



Double-leaf with four wicket doors

Sports hall recessed handle according to DIN EN 179



Flush-stopping sliding door

For maximum clear passage width

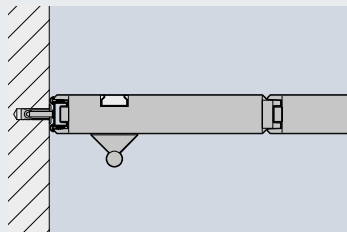
El₂30

Flush-stopping fire sliding door without guiding profile

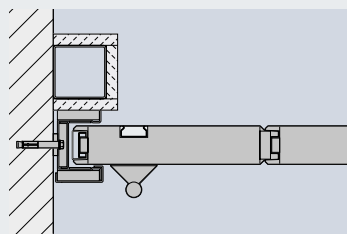
In this exclusive solution for construction projects, the door closes flush with the wall. The full clear passage remains available. There is no need for a guiding profile which would disturb the overall appearance.

Versions / functions

- El₂30 fire sliding door, flush-stopping
- Spring-loaded stainless steel guide bolt, intumescent coating and rubber double seal ensure safety
- Flush, fully bonded door sets
- Single-leaf
- Max. size 7500 x 4500 mm



Sliding door without guiding profile



Sliding door with guiding profile



Spring-loaded stainless steel guiding bolt

Recess and ceiling flaps

For an inconspicuous integration of the door



Recess flap with the door closed



Recess flap with the door opened



Recess flap stainless steel V2 A



Recess flap with cladding frame for timber embellishment (cladded on site)

Recess and ceiling flaps

With these solutions, sliding doors can be inconspicuously integrated in the wall and ceiling.

A vertical recess flap blends the inlet and outlet areas of the door. The minimum width for a recess flap is 180 mm.

In the lintel area, the tracks can be horizontally blended with a ceiling flap. It is manually closed. Opening is triggered automatically through a staggered control or hold-open device (see page 27). Recess and ceiling flaps are also available for telescopic sliding doors.

The flaps are available galvanized, primed, coated in colour or in stainless steel V2 A, 14301. Optionally available with stainless steel cladding frame for cladding with gypsum board, timber or tiles.

Operator solutions for sliding doors

Opening and closing during daily operation



Can be combined with operators
SupraMatic HT and ITO 400



1

Stainless steel fire sliding doors that require opening and closing several times a day can be equipped with a convenient and fast operator. The operator is maintenance-free and particularly suited for high-traffic areas.

- Quick opening and closing during daily operation
- A patented compensator release system unlocks the operator in case of fire
- Reliable closing of the fire sliding door by weights in case of fire

1 Operator SupraMatic HT

- Up to 800 kg door leaf weight
- Up to 6090 mm clear passage width
- **Impulse operation "Open / Close"**
- Operation via hand transmitter or button
- With internal control as standard
- Optionally with external control 360 with automatic timer



2

2 Chain drive operator ITO 400

- Up to 2500 kg door leaf weight
- Up to 8500 mm clear passage width
- **Press-and-hold or impulse operation "Open / Close"**
- Operation via hand transmitter or button
- With external control A 445 as standard
- Optionally as FU version with external control B 460 FU with soft start and soft stop



Controls

1 External control 360

- Optional for SupraMatic HT
- With automatic timer
- With second opening width, half-open
- With warning lights connection

2 Control A 445

- As standard for ITO 400

3 FU control B 460 FU

- Optional for ITO 400
- With soft start and soft stop



Control elements

1 4-button hand transmitter HS 4 BS

- Optional for SupraMatic HT

2 Key switch STUP 50 / STAP 50

- Optional for SupraMatic HT and ITO 400

3 Push button DT 02

- Optional for SupraMatic HT and ITO 400

4 Radio internal push button FIT 1 BS

- Optional for SupraMatic HT

5 Warning lights

- Optional for SupraMatic HT with external control 360
- Optional for ITO 400



Opening aid

- Over 2500 kg door leaf weight
- Over 8500 mm clear passage width
- Press-and-hold operation
- Operation via button
- Locking device
- Optionally with key switch

Special equipment

For special requirements

Compensator

The compensator allows for free positioning of the door leaf. This means the door can be easily opened, for example only halfway, making it ideal for fire sliding doors that are operated multiple times each day.

The door closes automatically via the compensator carriage and counter weight in the case of fire, with the push of a button or during a power failure.

Lockable door leaf and wicket door 1

Single- and double-leaf fire sliding doors are optionally available with curved bolt lock or hook catch lock with a profile cylinder in the door leaf.

Curved bolt lock / hook catch lock

- Backset 120 mm, PC and RC
- Backset 250 mm, profile cylinder; for example, for recess flaps

For simple retrofitting of single- and double-leaf doors, a retrofit lock is available.

Anti-collision bollard and collision guard 2

Available as optional crash protection for galvanized or painted RAL 1021 (Rape yellow) sliding doors.

Anti-collision bollard (W x H)

- 1000 x 114 mm

Collision guard (W x H)

- 1250 x 400 mm, type 1
- 625 x 400 mm, type 2



Hold-open devices

Convenient opening during daytime operation and secure closing in case of fire



FSA-Basis hold-open device control 1

The control combines power supply, acoustic warning signals, fire detector evaluation, manual release button and reset device in a compact housing. In addition, status and alarm states are indicated via LED lights. Furthermore, fire detectors, magnets, recess flaps and fire alarm systems can be easily connected.

FSA-Plus hold-open device control centre 2

For reliable operation, even in the event of power failures, the FSA-Plus version has battery backup. It is also particularly suitable for the staggered control of ceiling and recess flaps in combination with sliding doors.

Visual / acoustic alarm system FSA-OAW 3

The extension for the FSA-Basis and FSA-Plus hold-open device control centres in conjunction with a Hörmann flashing warning light provides a visual and acoustic warning during door travel, even the event of a power failure.

Visual smoke detector H-RM-4070 4

The visual smoke detector works according to the familiar scattered light principle and **detects the smoke emissions of many different fires**. The sensor compartment contains a visual sensor capable of measuring both reflected and normal scattered light. Algorithms make alarm activation of the detector very reliable.

Thermal detector H-TM-4070 5

The heat detector is used if dust, smoke or steam is to be expected during operation. Thanks to the open housing, the ambient air circulates freely around the thermistor. The air temperature is measured every 2 seconds. A microprocessor stores the temperature measurement data and compares it to the preset limits to determine if a preset maximum value – the alarm threshold – has been reached.

Hinged garage doors DFT FST

Single-leaf up to 4000 mm x 4000 mm



MZ Multi-purpose
Single-leaf

EI₂30 Fire-retarding
Single-leaf



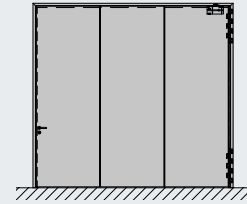
Further information
• Surface finishes / colours page 14



The ideal solution when fitting of sliding doors is not possible

Door type	Single-leaf
MZ multi-purpose	
Width (mm)	1625 – 4000
Height (mm)	2000 – 4000
EI₂30 fire-retarding	
Width (mm)	1625 – 4000
Height (mm)	2000 – 4000

Single-leaf



Flush, fully bonded groove / spring element with a door leaf thickness of 72 mm



Block frame 140 / 75 mm, 3-part with all-round lining groove on three sides



2-way adjustable, galvanized hinges



90° open position with magnet



Mortice lock with lever / knob BKS 1206 with stainless steel lock cover and lock plate

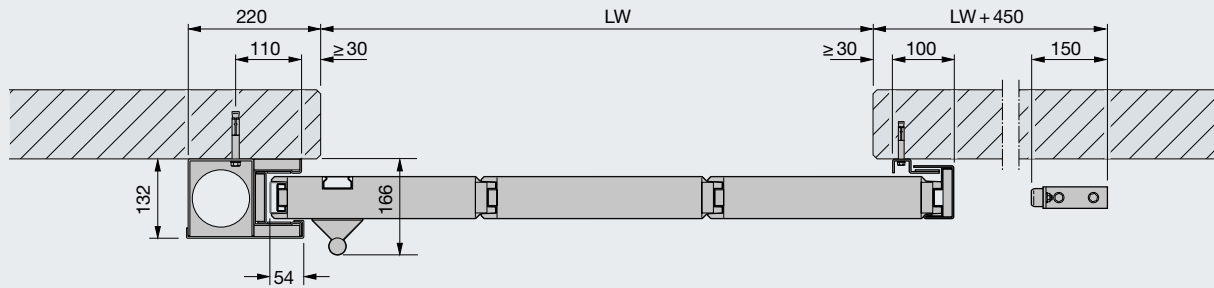


Overhead door closer TS 4000 for fire-retarding version

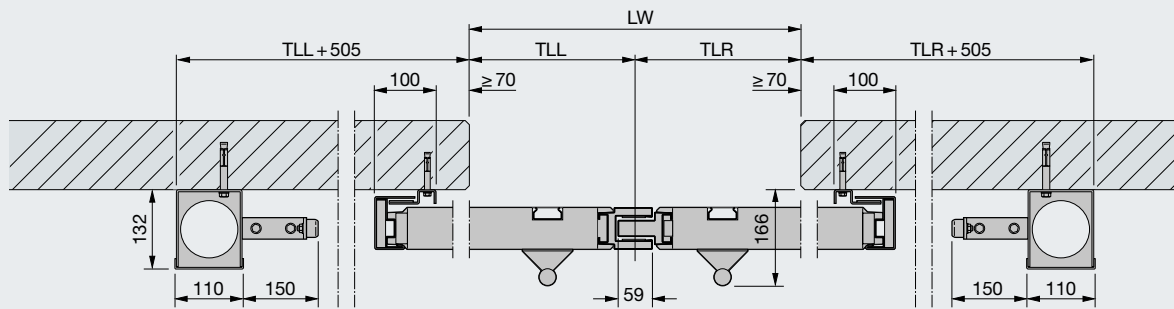
Technical data

Horizontal views, single-leaf, double-leaf and telescopic versions

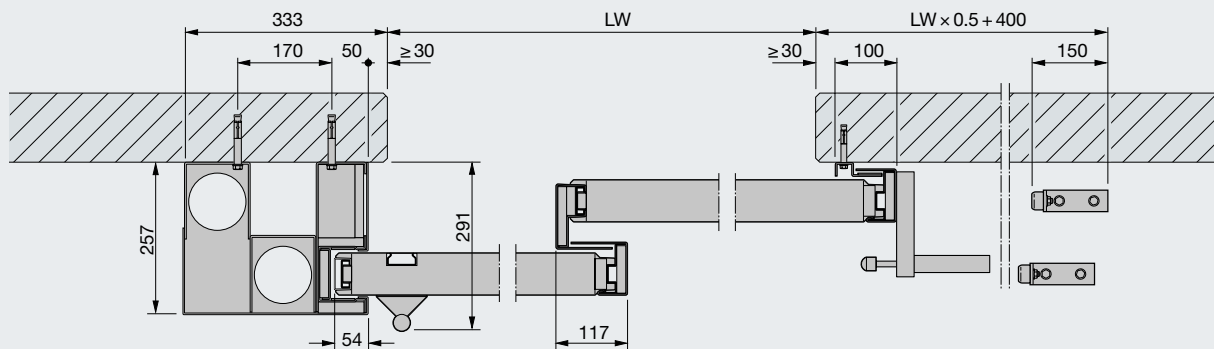
Single-leaf version*



Double-leaf version



Double telescopic version

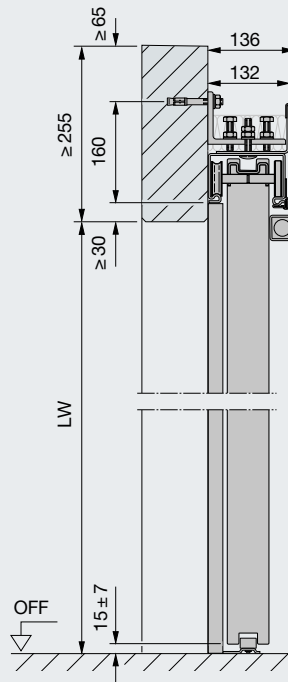


* View may deviate for EI₂120, see fitting data

Technical data

Vertical views, single-leaf, double-leaf and telescopic versions

Single- and double-leaf version



Explanations

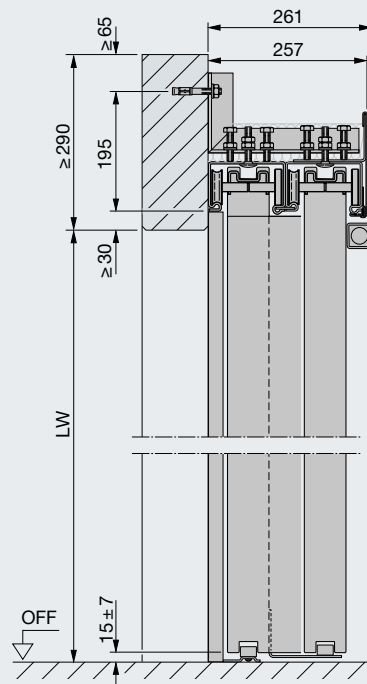
- LW Structural opening
- TLL Division left
- TLR Division right

The illustrated door views show versions with standard guiding, wall fitting, and without smoke protection function.

Notice

The construction tolerances to be complied with depend on the requirements provided in the official approval of the fire and smoke-tight sliding doors.

Double telescopic version

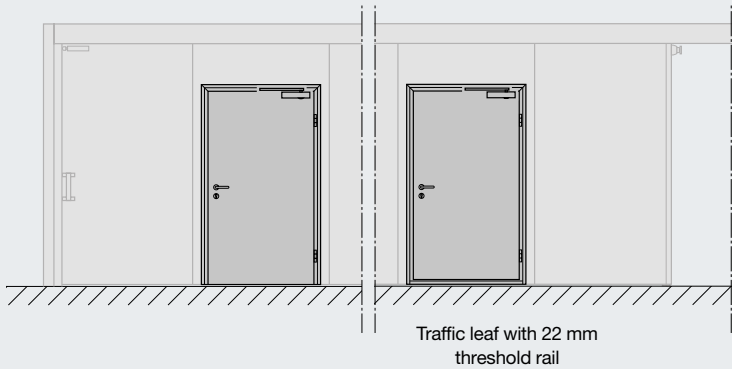


Technical data

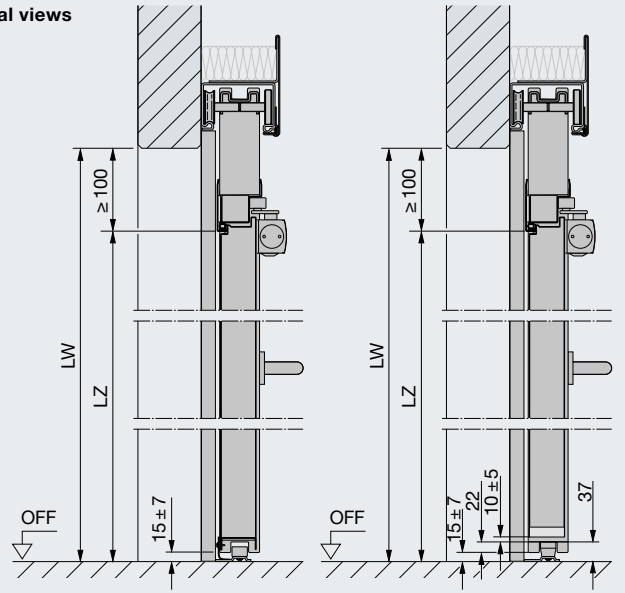
Sliding doors with wicket door

Door views

Vertical views

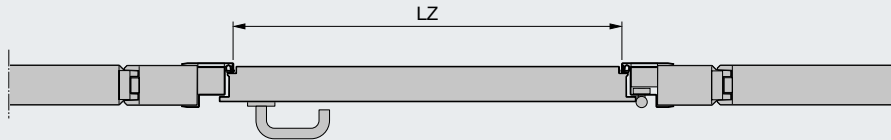


Traffic leaf with 22 mm threshold rail

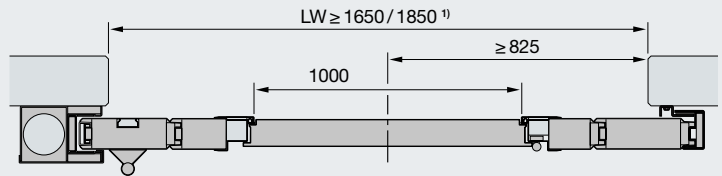


Traffic leaf with 22 mm threshold rail

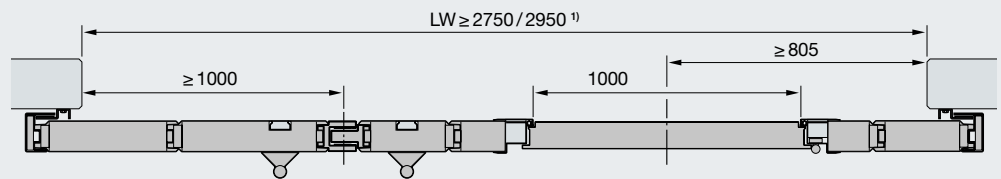
Horizontal view



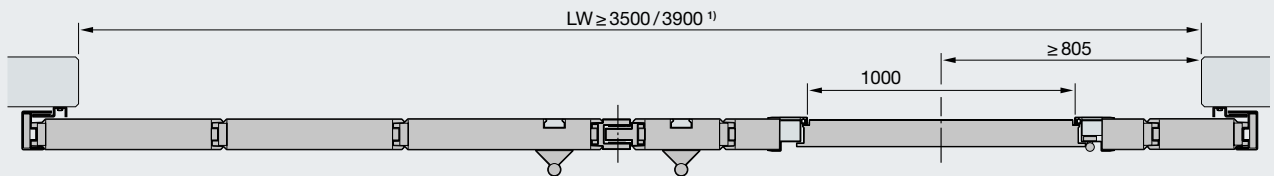
Single-leaf fire sliding door



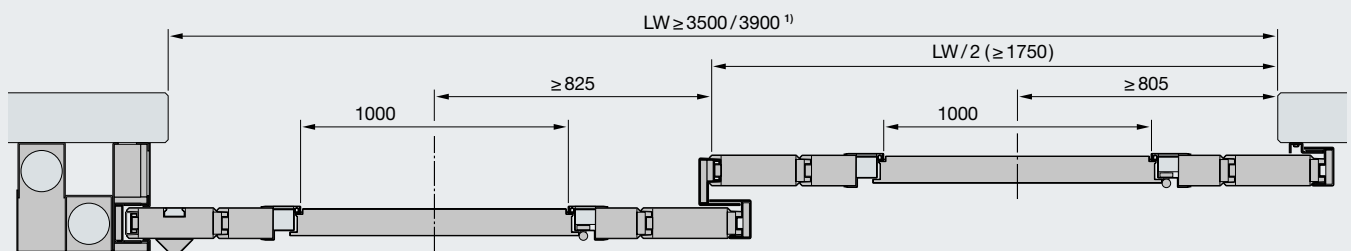
Double-leaf fire sliding door, asymmetrical division



Double-leaf fire sliding door, symmetrical division



Double telescopic door



Handle part
EI₂30, EI₂90 available with wicket door

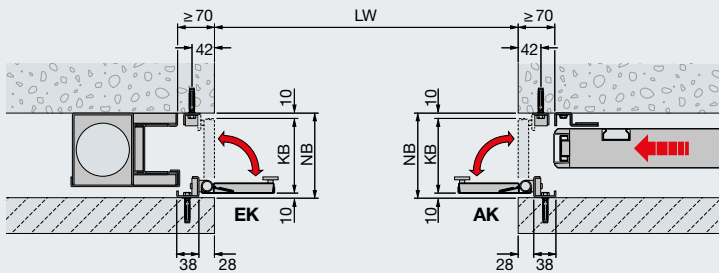
Wall section
EI₂30 available with wicket door

Technical data

Recess and ceiling flaps

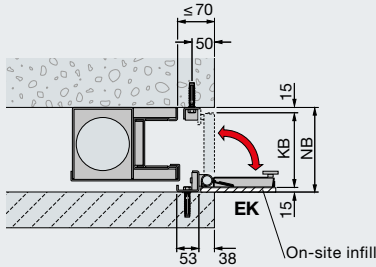
Recess flaps for the wall area

Horizontal view, single- and double-leaf sliding door



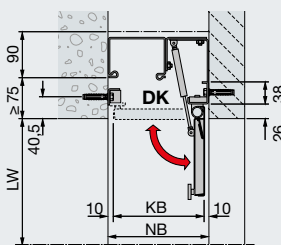
Recess flaps for on-site infill

Horizontal view, single- and double-leaf sliding door



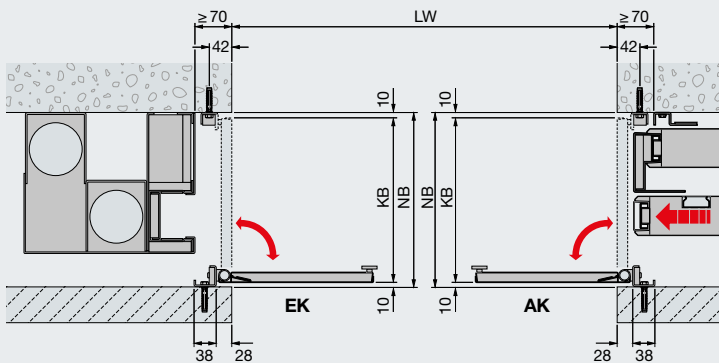
Ceiling flaps for the lintel area

Vertical view, single- and double-leaf sliding door



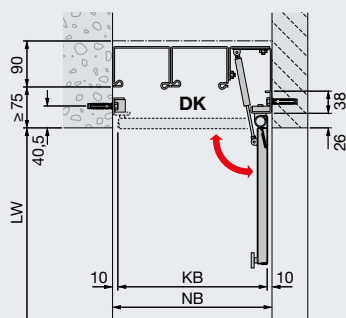
Recess flaps for the wall area

Horizontal view, telescopic sliding door



Ceiling flaps for the lintel area

Vertical view, telescopic sliding door



Explanations

LW Structural opening
LZ Clear frame dimension

EK Inlet flap
AK Outlet flap
DK Ceiling flap

KB Flap width
NB Recess width

The illustrated door views show versions with standard guiding, wall fitting, and without smoke protection function.

Notice

For a recess width ≤ 340 mm, a door leaf with vertically offset recessed lever handle on both sides is required. For doors with fitted traffic leaf, recessed lever handles on both sides and an integrated overhead door closer Dorma ITS 96 are required. Retrofitting of recess flaps in existing door systems is not possible, due to the required larger door overlap.

The construction tolerances to be complied with depend on the requirements provided in the official approval of the fire and smoke-tight sliding doors.

Cladded recess flaps

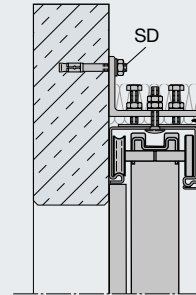
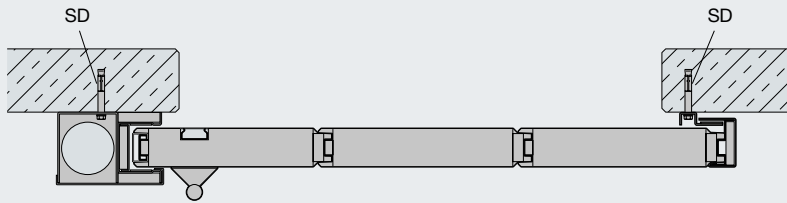
Cladding on a stainless steel cladding frame with timber, gypsum and tiles is possible up to a thickness of 10 mm. Max. cladding weight: 25 kg/m²

Space requirements and edge gaps deviate from the values for the standard flaps.

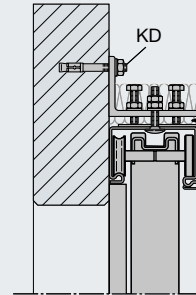
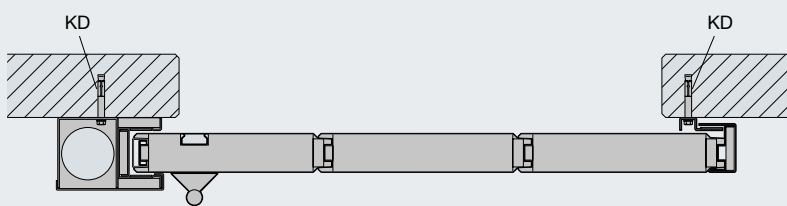
Technical data

Wall connections

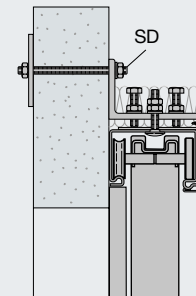
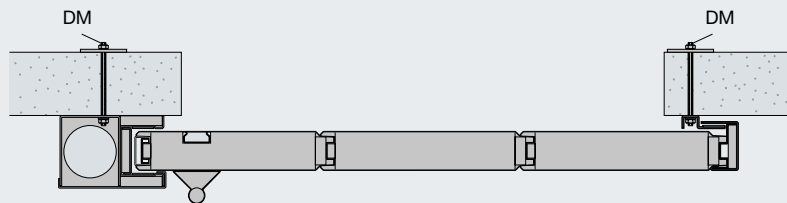
Concrete walls



Brickwork walls

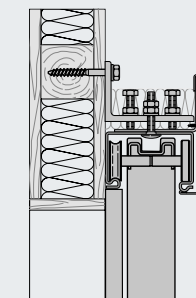
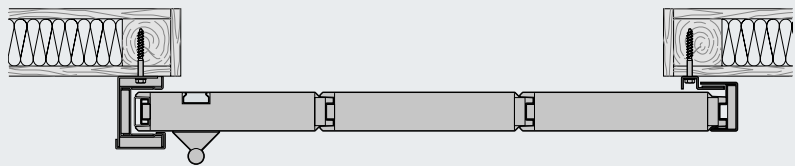


Gas concrete walls

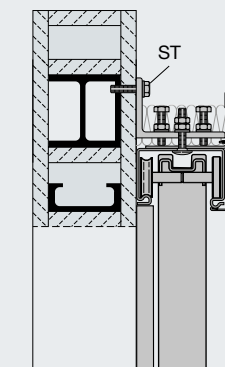
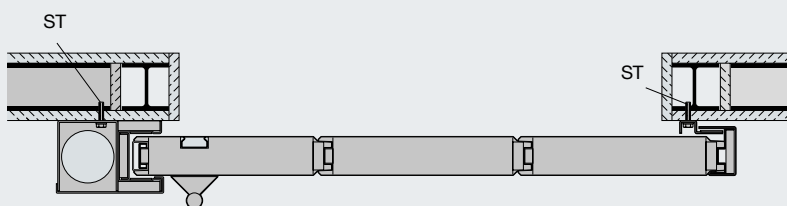


Only in combination with a steel concrete lintel according to the static proof.
The lintel must extend beyond the door opening area in line with the door track length.

Timber walls

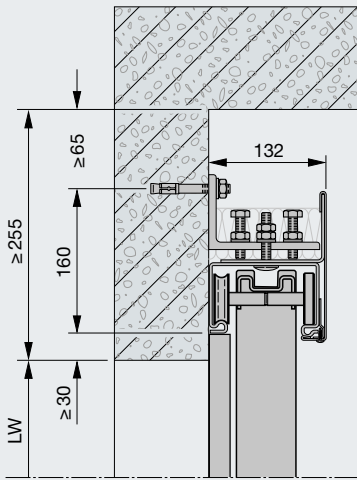


Cladded steel components

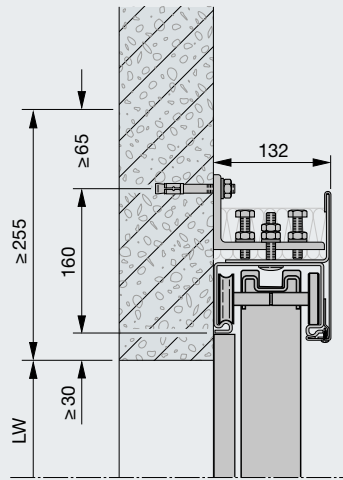


Cladded steel supports and / or girders, minimum fire resistance class F90, short designation F90-A according to DIN 4102-4.

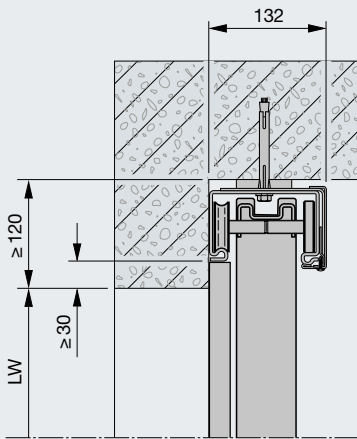
Wall fitting to the lintel



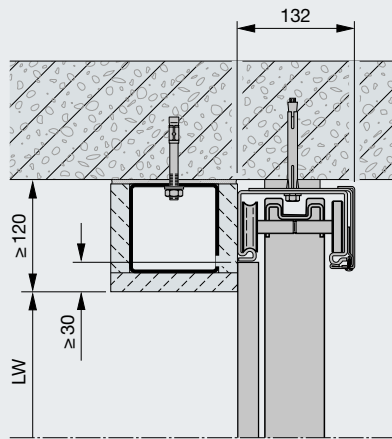
Fitting to the wall



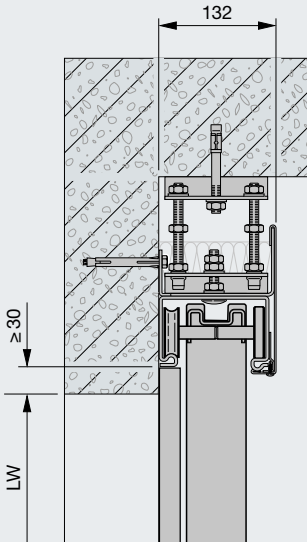
Direct fitting to the ceiling



Direct fitting to the ceiling with false lintel



Suspended ceiling fitting
(up to max. 200 mm threaded rod length)



Explanations

- LW Structural opening
- DM Through-bolt fixing with threaded rod M10 nut, pane and counterplate 80 × 80 × 5 mm
- SD Steel expansion dowels Ø 10 (M6) × ≥ 80
- ST Steel screw M8
- KD Plastic dowels 10 × 120 mm

Minimum wall thicknesses

Brickwork walls according to DIN 1053-1², strength class min. 12, normal mortar ≥ II: 175 mm
 Concrete walls according to DIN 1045-1, strength class min. C 12 / 15: 140 mm
 Walls made of gas concrete, stone slabs or precision blocks according to DIN 4165⁴ part 3, strength class 4: 240 mm
 Walls made of reinforced gas concrete slabs, laid flat or standing, provided general official approval is available; strength class 4.4: 200 mm

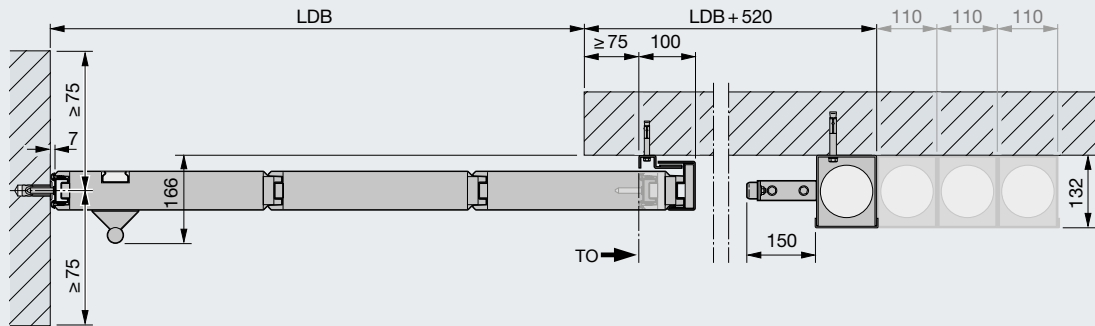
Notice

The construction tolerances to be complied with depend on the requirements provided in the official approval of the fire and smoke-tight sliding doors.

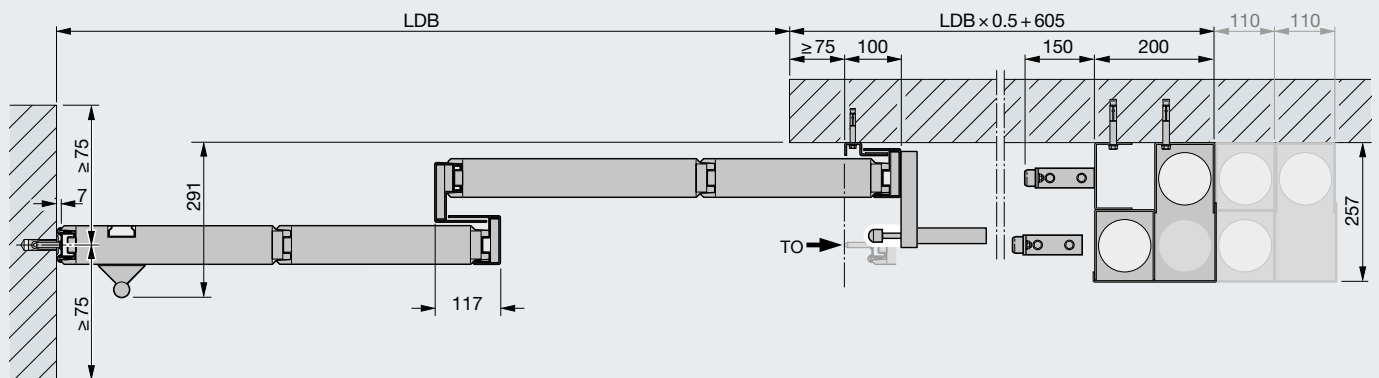
Technical data

Flush-stopping sliding door without guiding profile

Flush-stopping single-leaf sliding door



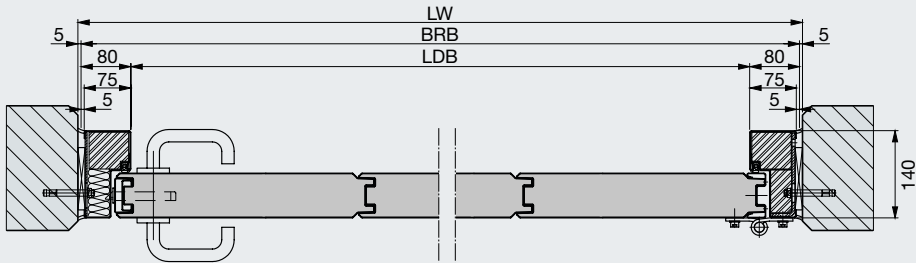
Flush-stopping telescopic sliding door



Technical data

Hinged doors

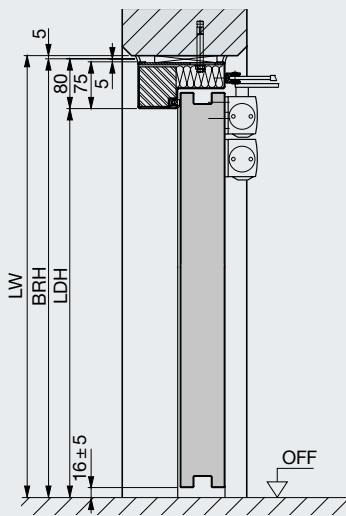
Horizontal view



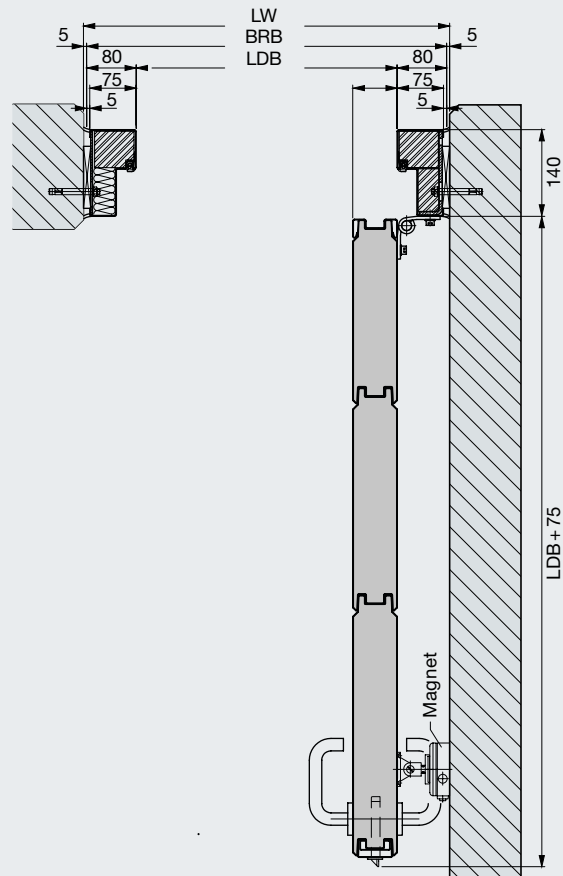
Explanations

- LW Structural opening
- BRB Nominal size width
- LDB Clear passage width
- BRH Nominal size height
- LDH Clear passage height

Vertical view



90° open position



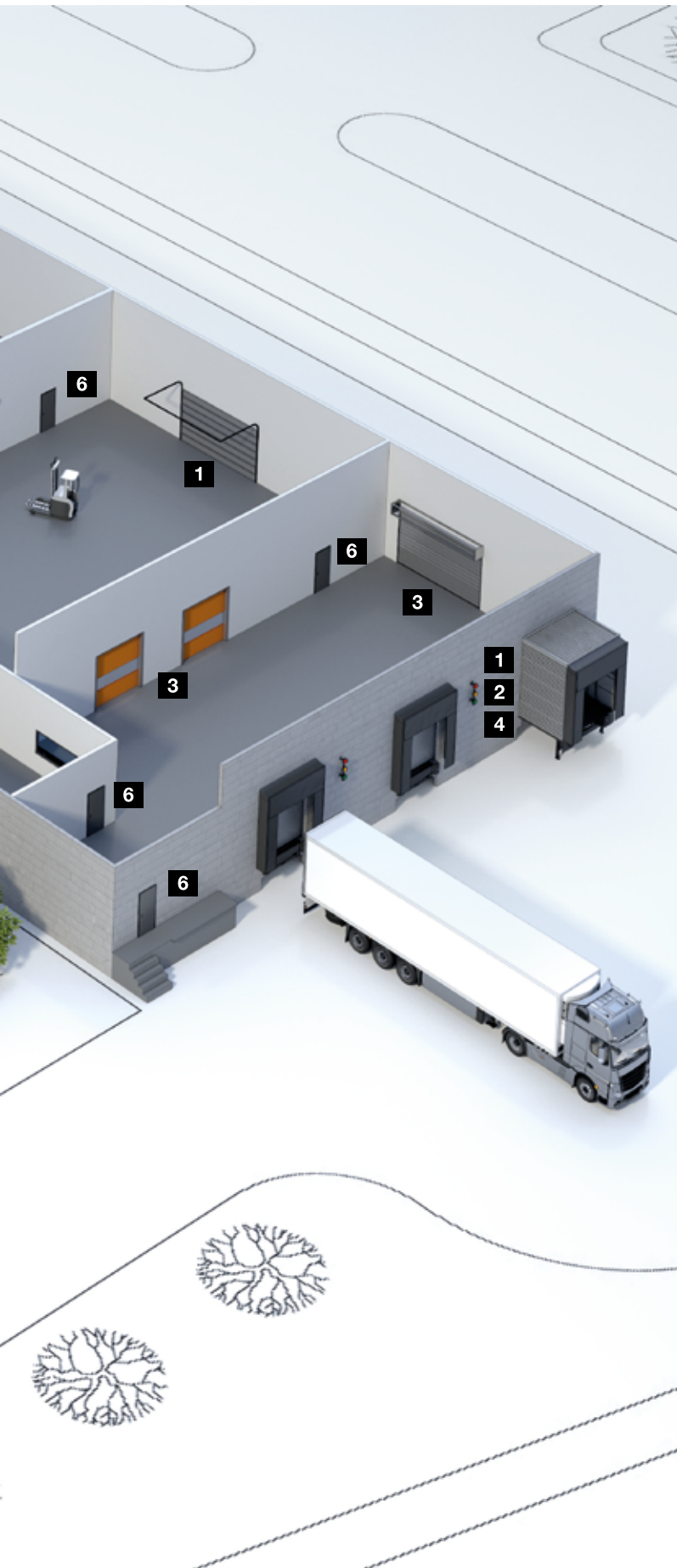
Hörmann Product Range

Everything from a single source for your construction project





Quick service with testing, maintenance and repairs
Our extensive service network means that we are always nearby and at your service around the clock.



Sectional doors



Rolling shutters and rolling grilles



High-speed doors



Loading technology



Steel and stainless steel sliding doors



Steel and stainless steel construction project doors



Steel frames with high-quality timber function doors from Schörghuber



Tubular frame construction project doors



Automatic sliding doors



Visibility window



Collective garage doors



Bollards and road blockers



Barrier and pay station systems

Hörmann: Quality without Compromise



Hörmann KG Amshausen, Germany



Hörmann KG Antriebstechnik, Germany



Hörmann KG Brandis, Germany



Hörmann KG Brockhagen, Germany



Hörmann KG Dissen, Germany



Hörmann KG Eckelhausen, Germany



Hörmann KG Freisen, Germany



Hörmann KG Ichttershausen, Germany



Hörmann KG Werne, Germany



Hörmann Alkmaar B.V., Netherlands



Hörmann Legnica Sp. z o.o., Poland



Hörmann Beijing, China



Hörmann Tianjin, China



Hörmann LLC, Montgomery IL, USA



Hörmann Flexon LLC, Burgettstown PA, USA



Shakti Hörmann Pvt. Ltd., India

Hörmann is the only manufacturer worldwide that offers you a complete range of all major building products from one source. We manufacture in highly-specialised factories using the latest production technologies. The close-meshed network of sales and service companies throughout Europe, and activities in the USA and Asia, make Hörmann your strong partner for first-class building products, offering “Quality without Compromise”.

GARAGE DOORS
OPERATORS
INDUSTRIAL DOORS
LOADING EQUIPMENT
HINGED DOORS
DOOR FRAMES